

FUEL OIL

FUEL OIL CONDENSING BOILERS WITH INTEGRATED FUEL OIL BURNER, FOR HEATING ONLY

PROJECT



GTU C 334_00004

GTU C 334 to GTU C 336 from 56.7 to 157.3 kW

point

Optimisation of fuel oil energy middle and high power



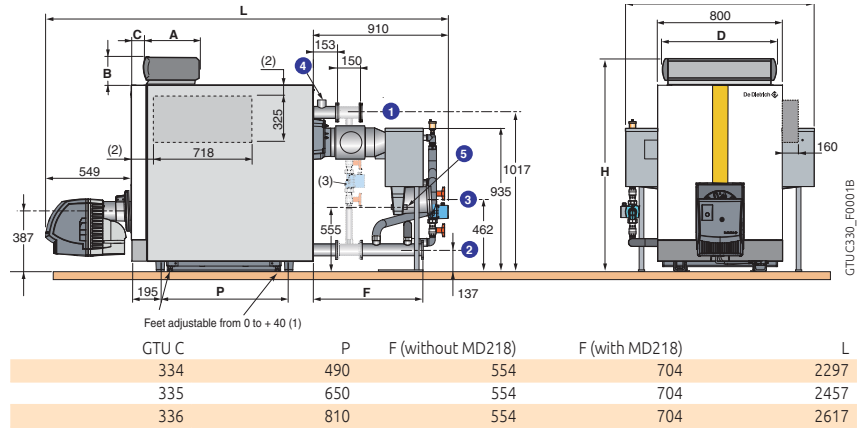
- Annual operating efficiency up to 104%
- Mini flow temperature: 30°C
- Heating body in bulk in eutectic cast iron
- Pressurised high volume combustion chamber and low gas resistance
- Doors with reversible hinges
- Reinforced insulation, low stand-by losses
- External tubular corrosion-resistant exchanger condenser in ceramic, impervious to thermal shock and with a high conductivity coefficient; hydraulic bypass connection to the return
- Connection between principal body and condenser by hydraulic connection kit which includes the load pump and the stove connection fitting with integrated sweeping hatch (delivered)
- Fuel burner M 200 S/M 300 S with post-ventilation delivered
- Choice of 4 control panels with DWH priority function (except standard control panel): STANDARD, B3, K3 or DIEMATIC-m3-
- **Packaging:** 2 possibilities
 - Heating body in bulk + 13 packages
 - Heating body assembled + 11 packages

N° CE 312BT175R

OPTIONS: see following pages

MAIN DIMENSIONS (mm and inches)

- Heating flow (flange + counter flange to be welded opening \varnothing 2" 1/2 (2" as optional))
 - Heating return (flange + counter flange to be welded) opening \varnothing 2" 1/2 (2" as optional)
 - Flue gas nozzle \varnothing 160mm
 - Sleeve Rp 1" 1/2 (for safety control unit)
 - Condensates discharges outside \varnothing 40mm
- (1) Feet adjustable: basic dimension 0mm, can be adjusted from 0 to 40mm.
 (2) Lateral control panel (specify under ordering): its position on 1 of the lateral panels is left to the fitter's discretion
 (3) Recirculation kit MD218 (option)
 Rp: Tapped connection



TECHNICAL SPECIFICATIONS

Condensing

Max. operating temperature: 90°C : Thermostat: 30 to 85°C adjustable : Classification: B₂₃, B_{23P} : NOx classification: - GTU C 334: 3
 Max. operating pressure: 4 bar : Safety thermostat: 110°C : : - GTU C 335/336: 2

MODEL

	GTU C	334	335	336
Nominal output 50/30°C	kW	93.4	120.3	157.3
Efficiency at % PCI	%	97.8	96.9	96.4
output and ... °C	%	101.5	101.4	101.1
water temp.	%	103.0	102.8	103.0
Useful efficiency at 100 % of rated heat output (2)	%	92.3	91.4	90.9
Useful efficiency at 30 % of rated heat output (2)	%	97.2	97.0	97.2
Water flow at $\Delta T = 20$ K	m ³ /h	4.019	5.178	6.769
Stand-by losses at $\Delta T = 30$ K	W	315	335	350
% losses through the walls	%	69	73	78
Auxiliary electrical power (without circul. pump) at Pn with DIEMATIC-m3 control panel	W	325	435	650
Usefull output at 50/30°C	kW	56.7-93.4	93.7-120.3	120.2-157.3
Usefull output at 80/60°C	kW	55-90	90-115	115-150
Water content	l	113	133	153
Water resistance at $\Delta T = 20$ K (1)	mbar	2.6	4.2	8.0
Combustion chamber \varnothing 377mm, length	mm	613	718	854
Flue gas temperature	°C	50	55	61
Flue gas mass	kg/h	149	191	248
Maximum pressure available at the nozzle	mbar	1.0	0.6	1.8
Loss of load flue gas	mbar	0.45	0.8	1.0
Weight empty (with DIEMATIC-m 3 panel)	kg	678	802	912

(1) At nominal stage, CO₂: 12,5% with domestic fuel. (2) According to commission regulation n°813/2013 from 2/08/13.

MODEL

	GTU C	334	335	336
GTU C 330	Ref.	100012304	100012305	100012306
GTU C 330 B3 (1)	Ref.	100012065	100012066	100012067
GTU C 330 K3 (1) (2)	Ref.	100012077	100012078	100012079
GTU C 330 DIEMATIC-m 3 (1)	Ref.	100012089	100012091	100012092

(1) Control panel also available in a "lateral" version on request.
 (2) GTU C 330 K3 is only operating in association with GTU C 330 DIEMATIC-m 3 Heating body in bulk as standard. On request, body can be assembled in factory

FUEL OIL

FUEL OIL CONDENSING BOILERS WITH INTEGRATED FUEL OIL BURNER, FOR HEATING ONLY

PROJECT



GTU C 337 to GTU C 339 From 155.4 to 291.2 kW

point

Optimisation of fuel oil energy middle and high power



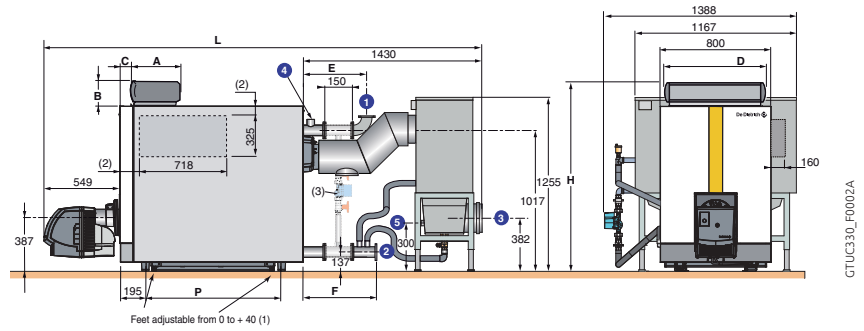
- Annual operating efficiency up to 104%
- Mini flow temperature: 30°C
- Heating body in bulk in eutectic cast iron
- Pressurised high volume combustion chamber and low gas resistance
- Doors with reversible hinges
- Reinforced insulation, low stand-by losses
- External tubular corrosion-resistant exchanger condenser in ceramic, impervious to thermal shock and with a high conductivity coefficient; hydraulic bypass connection to the return
- Connection between principal body and condenser by hydraulic connection kit which includes the load pump and the stove connection fitting with integrated sweeping hatch (delivered)
- Fuel burner M 200 S/M 300 S with post-ventilation delivered
- Choice of 4 control panels with DWH priority function (except standard control panel: STANDARD, B3, K3 or DIEMATIC-m3)
- **Packaging:** 2 possibilities
 - Heating body in bulk + 13 packages
 - Heating body assembled + 11 packages

N° CE 1312BT175R

OPTIONS: see following pages

MAIN DIMENSIONS (mm and inches)

- Heating flow (flange + counter flange to be welded opening $\varnothing 2'' 1/2$ (2" as optional))
- Heating return (flange + counter flange to be welded) opening $\varnothing 2'' 1/2$ (2" as optional)
- Flue gas nozzle $\varnothing 200$ mm
- Sleeve Rp 1" 1/2 (for safety control unit)
- Condensates discharges outside $\varnothing 40$ mm
- Feet adjustable: basic dimension 0mm, can be adjusted from 0 to 40mm.
- Lateral control panel (specify under ordering): its position on 1 of the lateral panels is left to the fitter's discretion
- Recirculation kit MD218 (option)
Rp: Tapped connection



	(mm)	A	B	C	D	H	GTU C	P	E (without MD218)	E (with MD218)	F (without MD218)	F (with MD218)	L
standard		130	105	45	738	1297	337	970	257	407	304	554	3297
B3, K3 and DIEMATIC-m 3		355	190	45	755	1387	338	1130	257	407	304	554	3457
							339	1290	257	407	304	554	3617

TECHNICAL SPECIFICATIONS

Condensing

Max. operating temperature: 90°C : Thermostat: 30 to 85°C adjustable : Classification: B₂₃, B_{23P} : NOx classification: - GTU C 337/338: 3
 Max. operating pressure: 4 bar : Safety thermostat: 110°C : : - GTU C 339: 2

MODEL

	GTU C	337	338	339
Nominal output 50/30°C	kW	192.7	239.7	291.2
Efficiency at % PCI	%	- 100% at average temp. 70°C	98.1	97.7
		- 100% at return temp. 30°C	102.2	101.8
output and ... °C	%	- 100% at average temp. 70°C	104.7	104.0
		- 30% at return temp. 30°C	104.7	103.8
Useful efficiency at 100 % of rated heat output (2)		92.5	92.2	92.1
Useful efficiency at 30 % of rated heat output (2)		98.8	98.1	97.9
Water flow at $\Delta T = 20$ K	m ³ /h	8.293	10.312	12.530
Stand-by losses at $\Delta T = 30$ K	W	495	500	510
% losses through the walls	%	83	87	93
Auxiliary electrical power (without circul. pump) at Pn with DIEMATIC-m3 control panel	W	625	625	1100
Usefull output at 50/30°C min./max.	kW	155.4-192.7	191.7-239.7	238.4-291.2
Usefull output at 80/60°C min./max.	kW	150-185	185-230	230-280
Water content	l	177	197	217
Water resistance at $\Delta T = 20$ K (1)	mbar	11	17	26
Combustion chamber $\varnothing 377$ mm, length	mm	993	1117	1245
Flue gas temperature	°C	62	63	64
Flue gas mass	kg/h	306	381	463
Maximum pressure available at the nozzle	mbar	1.9	1.6	1.7
Loss of load flue gas	mbar	1.3	1.6	2.3
Weight empty (with DIEMATIC-m 3 panel)	kg	1117	1239	1366

(1) At nominal stage, CO₂: 13% with domestic fuel. (2) According to commission regulation n°813/2013 from 2/08/13.

MODEL

	GTU C	337	338	339
GTU C 330	Ref.	100012307	100012308	100012309
GTU C 330 B3 (1)	Ref.	100012068	100012069	100012070
GTU C 330 K3 (1) (2)	Ref.	100012080	100012081	100012082
GTU C 330 DIEMATIC-m 3 (1)	Ref.	100012093	100012094	100012095

(1) Control panel also available in a "lateral" version on request.
 (2) GTU C 330 K3 is only operating in association with GTU C 330 DIEMATIC-m 3 Heating body in bulk as standard. On request, body can be assembled in factory

OPTIONS

FOR GTU C 330

ALL OPTIONS EXCEPT CONTROL UNITS OPTIONS

ACCESSORIES

	PACKAGE	REF
Recommended assembly tool for body in bulk JD-TE Plus complete		100018991
Soundproof cover for M.300 burner (GTU C 335 to 339)	-	88027180
Drainage valve kit	FD37	85537074
Set of 2 counters with collar, Ø 2"	FD38	85537075
Recirculation GTU C 330	MD218	100012251
Siphon GTU C 330	MD217	100012250
Condensates neutralisation station	MD225	100012385
Lift pump	FM158	100004293
Refill carbon filter + marble granules for neutralisation station	MD226	100012685

DHW PRODUCTION

	PACKAGE	REF
• with BPB, BLC or B independent calorifier		see chapter 11
DHW sensor	AD212	100000030



CONTROL UNITS OPTIONS

CHOICE OF OPTIONS ACCORDING TO THE CONNECTED CIRCUITS

Circuit type	Boiler self-standing or boiler 1 of a cascade							Boiler 2 to 10 of a cascade by additional boiler (2)			
	DHW	direct	valve	direct + 1 valve	2 x valve	1 x direct + 2 x valve	3 x valve	valve	2 x valve	3 x valve	
Standard	for installations without a control unit or for those with a boiler room control cabinet										
Control panel	B3	AD212	as standard	no	no	no	no	no	-	-	-
	DIEMATIC-m3 (1)	AD212	as standard	1 x AD199	1 x FM48	1 x AD199 + 1 x FM48	2 x FM48	1 x AD199 + 2 x FM48	-	-	-
	K3 (1)	-	-	-	-	-	-	-	1 x AD220	1 x AD220 + 1 x FM48	1 x AD220 + 2 x FM48

(1) Each of the circuits "heating" can be completed in choice by remote control AD285, AD284 + AD252 or FM52

(2) Do not forget to order the cascade outlet sensor: package AD212 or AD218 and the boiler sensors in case of modulating cascade: package AD212

CONTROL UNITS OPTIONS

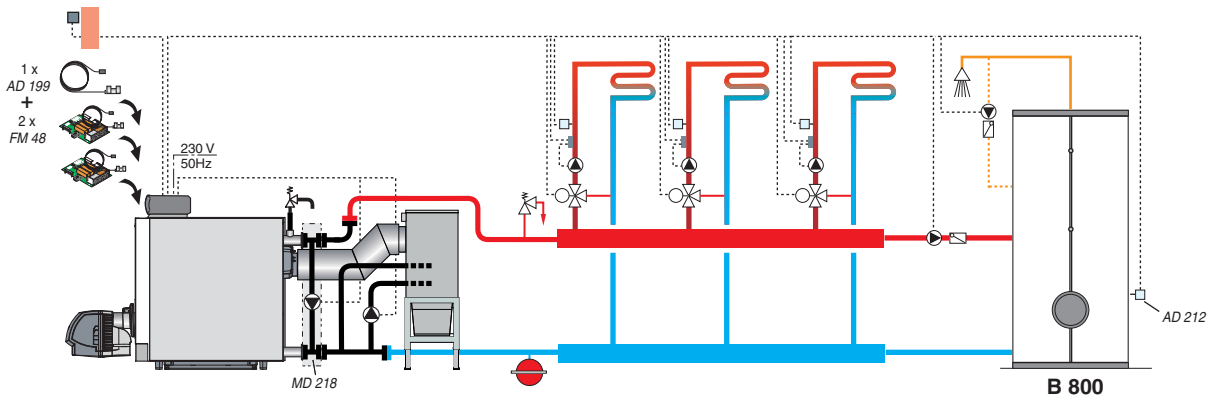
	PACKAGE	REF	PACKAGE	REF
• for standard panel				
Flue gas thermometer	BP28	82197729	FM48	85757743
• for B3 control panel			AD199	88017017
Flue gas thermometer	BP28	82197729	AD285	100018924
Time counter (1 piece)	BG40	82187730	AD284	100018923
Room thermostat:			AD251	100013306
• non programmable	AD140	88017859	AD252	100013307
• programmable (wire)	AD137	88017855	FM52	85757747
• programmable (wireless)	AD200	88017018	AD244	100012044
DHW sensor	AD212	100000030	AD134	88017851
• for K3 control panel			DB119	81997720
Relay PCB + sensors for 1 circuit with valve	AD220	100004970	AD139	88017858
PCB + sensor for 1 circuit with mixing valve (1)	FM48	85757743	FM47	85757742
CDI D. iSystem remote control	AD285	100018924	AD212	100000030
Radio remote control CDR D. iSystem module (without radio transmitter/receiver)	AD284	100018923	AD218	100004781
Boiler radio module (radio transmitter)	AD252	100013307	AD160	88017887
Simplified remote control with room sensor	FM52	85757747		
Room sensor	AD244	100012044		
Flue gas temperature sensor	FM47	85757742		

EXAMPLE OF INSTALLATION

FOR GTU C 330

GTU C 330 GTU C 334 DIEMATIC-m3

- B... DHW calorifier
- 3 underfloor standing circuits (with mixing valve)



DESCRIPTION

	PACKAGE	REF
GTU C 334 DIEMATIC-m3	-	100012089
Options		
- Recirculation kit GTU C 330	MD218	100012251
- PCB + sensor for mixing valve	2 x FM48	2 x 85757743
- Outlet sensor downstream of the valve	AD199	88017017
- B 800 DHW calorifier	AJ79	7650481
- Rigid casing for B 800	AJ95	7650497
- DHW sensor	AD212	100000030